

MAKING MODERN LIVING POSSIBLE

*Danfoss*



60 Hz

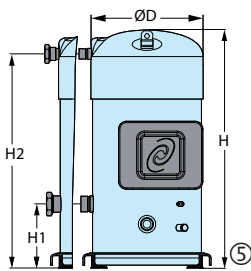
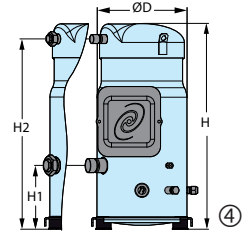
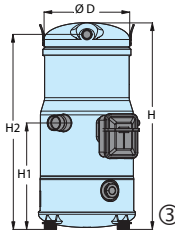
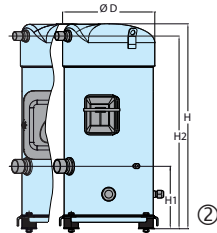
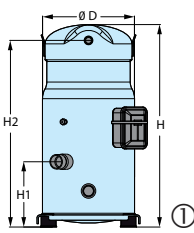
## Performer<sup>®</sup> scroll compressors

SM - SY - SZ  
R407C - R134a - R22 - 60 Hz

Quick reference

QUICK REFERENCE

PRODUCT RANGE SINGLE COMPRESSORS



	Model	Motor voltage code				Dimensions (inch)			
		200-230V/3~/60Hz	400V/3~/50Hz-460V/3~/60Hz	500V/3~/50Hz-575V/3~/60Hz	380V/3~/60Hz	D	H	H1	H2
①	SM/SZ084-090-100	●	●	●	●	10.0	20.0	5.6	18.3
	SM/SZ110-120	●	●	●	●	10.0	22.0	7.0	20.3
②	SM/SZ148-161	●	●	●	●	10.5	23.3	7.1	21.9
	SM112	●	●	●	●	9.6	21.1	10.9	19.8
③	SM124-147	●	●	●	●	9.6	21.3	10.9	20.0
	SM/SZ115-125	○ ●	○ ●	○ ●	○ ●	10.0	22.9	7.1	21.1
④	SM/SZ160	○ ●	○ ●	○ ●	○ ●	10.5	24.8	7.1	23.5
	SM/SZ175-185	○ ●	○ ●	○ ●	○ ●	12.4	26.7	7.1	25.2
	SY185		○ ●			12.4	26.7	7.1	25.2
⑤	SY/SZ240	○ ●	○ ●	○ ●	○ ●	13.5	28.6	7.7	25.8
	SY/SZ300	○ ●	○ ●	○ ●	○ ●	13.5	29.1	7.7	26.2
	SZ380		○ ●	○ ●		13.5	30.0	7.7	27.1

○ Rotolock version    ● Brazed version

TECHNICAL SPECIFICATIONS

Model	Nominal Cap. 60 Hz	Nominal cooling capacity		Power input	COP	E.E.R.	Swept volume	Displacement ①	Oil charge	Net weight ②	
	TR	W	Btu/h	kW	W/W	Btu/h / W	cu.in/rev	cu.ft/h	oz	lbs	
R22 SINGLE	SM084	7	24 600	84 000	7.38	3.34	11.4	6.99	849	112	141
	SM090	7.5	26 400	90 000	7.82	3.37	11.5	7.35	894	112	143
	SM100	8	27 500	94 000	8.14	3.38	11.5	7.76	943	112	143
	SM110	9	31 600	107 800	9.35	3.38	11.5	8.80	1069	112	161
	SM112	9.5	34 000	116 100	9.62	3.53	12.1	9.25	1124	112	141
	SM115	9.5	33 700	115 200	10.08	3.35	11.4	9.46	1149	129	172
	SM120	10	36 700	125 300	10.80	3.40	11.6	10.17	1236	112	161
	SM124	10.5	37 700	128 800	10.59	3.56	12.2	10.34	1257	112	141
	SM125	10	37 000	126 400	10.99	3.37	11.5	10.17	1236	129	172
	SM147	12	43 600	148 600	12.18	3.58	12.2	11.81	1435	112	148
	SM148	12	43 800	149 500	13.01	3.37	11.5	12.14	1476	122	194
	SM160	13	47 700	163 000	14.22	3.36	11.5	13.22	1606	136	198
	SM161	13	47 600	162 600	14.07	3.39	11.5	13.22	1606	122	194
	SM175	14	51 100	174 300	15.27	3.34	11.4	14.22	1728	211	220
	SM185	15	54 300	185 400	16.22	3.35	11.4	15.25	1853	211	220
	SY185	15	55 300	188 900	16.32	3.39	11.6	15.25	1853	210	220
	SY240	20	74 100	252 700	22.10	3.35	11.4	21.22	2578	272	331
SY300	25	94 500	322 500	27.50	3.43	11.7	26.70	3245	272	346	
R407C SINGLE	SZ084	7	22 500	76 900	7.06	3.19	10.9	6.99	849	112	141
	SZ090	7.5	24 400	83 300	7.63	3.20	10.9	7.35	894	112	143
	SZ100	8	26 500	90 500	8.18	3.24	11.0	7.76	943	112	143
	SZ110	9	30 100	102 800	9.29	3.24	11.1	8.80	1069	112	161
	SZ115	9.5	32 800	112 000	10.22	3.21	10.9	9.46	1149	129	172
	SZ120	10	34 800	118 900	10.75	3.24	11.1	10.17	1236	113	161
	SZ125	10	34 900	119 200	10.89	3.21	10.9	10.17	1236	130	172
	SZ148	12	42 600	145 400	13.35	3.19	10.9	12.14	1476	122	194
	SZ160	13	45 500	155 400	14.08	3.23	11.0	13.22	1606	136	198
	SZ161	13	46 000	156 900	14.32	3.21	10.9	13.22	1606	122	194
	SZ175	14	48 700	166 200	15.28	3.19	10.9	14.22	1728	211	220
	SY/SZ185	15	51 800	176 800	16.43	3.15	10.7	15.25	1853	211	220
	SY/SZ240	20	71 100	242 800	22.70	3.14	10.7	21.22	2578	272	331
	SY/SZ300	25	87 900	300 000	27.49	3.20	10.9	26.70	3245	272	346
	SZ380	30	107 400	366 400	33.50	3.20	11.0	32.42	3941	285	348

① displacement at nominal speed: 3500 rpm at 60 Hz,

TR: Ton of Refrigeration, Evaporating temperature: 45 °F

COP: Coefficient Of Performance, Superheat: 20 °F

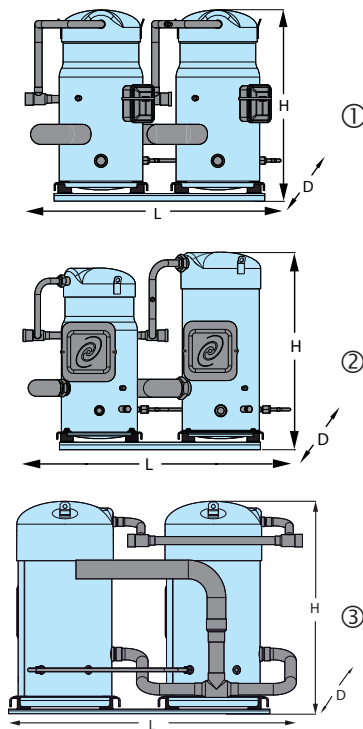
② net weight with oil charge

EER: Energy Efficiency Ratio  
Condensing temperature: 130 °F

Voltage: 460 V / 3 ph / 60 Hz  
ARI standard rating conditions  
Subcooling: 15 °F

QUICK REFERENCE

PRODUCT RANGE TANDEM COMPRESSORS



Model	Composition	Voltage code				Dimensions (inch)		
		3	4	7	9	L	D	H
		200-230V/3~/50	400V/3~/50 460V/3~/60	500V/3~/50 575V/3~/60	380V/3~/60			
SM/SZ170	S084 + S084	●	●	●	●	29.8	17.0	20.9
SM/SZ180	S090 + S090	●	●	●	●	29.8	17.0	20.9
SM/SZ200	S100 + S100	●	●	●	●	29.8	17.0	20.9
SM/SZ220	S110 + S110	●	●	●	●	30.6	17.4	22.9
SM/SZ230	S115 + S115	●	●	●	●	32.9	18.9	23.7
SM/SZ242	S120 + S120	●	●	●	●	30.6	17.4	22.9
SM248	S124 + S124	○	○	○	○	33.2	17.5	22.2
SM/SZ250	S125 + S125	●	●	●	●	32.9	18.9	23.7
SM272	S124 + S147	○	○	○	○	33.2	17.5	22.2
SM294	S147 + S147	○	○	○	○	33.2	17.5	22.2
SM/SZ296	S148 + S148	●	●	●	●	36.4	17.2	24.2
SM/SZ320	S160 + S160	●	●	●	●	35.9	18.9	25.9
SM/SZ322	S161 + S161	●	●	●	●	36.4	17.2	24.2
SM/SZ350	S175 + S175	●	●	●	●	39.5	19.5	28.2
SM/SZ370	S185 + S185	●	●	●	●	39.5	19.5	28.2
SM/SZ268	S148 + S120	●	●	●	●	36.6	17.4	24.2
SM/SZ271	S161 + S110	●	●	●	●	36.6	17.4	24.2
SM/SZ281	S161 + S120	●	●	●	●	36.6	17.4	24.2
SM/SZ285	S160 + S125	●	●	●	●	34.8	18.9	25.9
SM/SZ290	S175 + S115	●	●	●	●	36.4	19.5	27.8
SM/SZ310	S185 + S125	●	●	●	●	36.4	19.5	27.8
SY/SZ425	S240 + S185	○	○	○	○	40.5	21.7	28.7
SY/SZ485	S300 + S185	○	○	○	○	40.5	21.7	29.1
SY/SZ482	S240 + S240	○	○	○	○	38.7	20.1	28.7
SY/SZ540	S300 + S240	○	○	○	○	38.7	20.1	29.1
SY/SZ600	S300 + S300	○	○	○	○	38.7	20.1	29.1
SY/SZ620	S240 + S380	○	○	○	○	41.7	23.4	30.3
SY/SZ680	S300 + S380	○	○	○	○	41.7	23.4	30.3
SY/SZ760	S380 + S380	○	○	○	○	41.7	23.4	30.3

● Factory built tandems  
 ○ Tandems to be achieved by assembly of individual compressors. Specific outline drawings of tandems, trio and quadro units are available, refer to FRCC.PC.005.

NAMEPLATE REFERENCE

Family, lubricant & refrigerant	Nominal capacity	Voltage	Version	Evolution index	Single compressors																																																						
<b>SZ</b> <b>SY</b>	<b>185</b> <b>300</b>	<b>-</b> <b>4</b> <b>7</b>	<b>R</b> <b>AA</b>	<b>C</b> <b>A</b>	Single compressors																																																						
Family, lubricant & refrigerant SM: Scroll, Mineral oil, R22 SY: Scroll, POE lubricant, R22 (and R407C for SY185-240-300) SZ: Scroll, POE lubricant, R407C - R134a (and R404A, R507A for SZ084 to SZ185)	Nominal capacity in thousand Btu/h at 60 Hz, R22, ARI conditions	Motor voltage code 3: 200-230V/3~/60 Hz 4: 380-400V/3~/50 - 460V/3~/60 Hz 6: 230V/3~/50 Hz 7: 500V/3~/50 Hz - 575V/3~/60 Hz 9: 380V/3~/60 Hz	Electronic protection module	Applies to																																																							
		<table border="1"> <tr> <th>Motor protection type</th> <th>Connection</th> <th>Module voltage</th> <th>Applies to</th> </tr> <tr> <td rowspan="2">Internal overload protector</td> <td>V : brazed</td> <td></td> <td>S 084-090-100-110-120-148-161</td> </tr> <tr> <td>A : brazed</td> <td></td> <td>S 112-124-147</td> </tr> <tr> <td rowspan="2">Internal thermostat</td> <td>C : brazed</td> <td></td> <td rowspan="8">S 115-125-160-175-185</td> </tr> <tr> <td>R : rotolock</td> <td></td> </tr> <tr> <td rowspan="6">Electronic protection module</td> <td>J : brazed</td> <td>24 VDC</td> </tr> <tr> <td>P : brazed</td> <td>24 VAC</td> </tr> <tr> <td>U : brazed</td> <td>115 V</td> </tr> <tr> <td>X : brazed</td> <td>230 V</td> </tr> <tr> <td>K : rotolock</td> <td>24 VDC</td> </tr> <tr> <td>S : rotolock</td> <td>24 VAC</td> </tr> <tr> <td>W : rotolock</td> <td>115 V</td> </tr> <tr> <td>Y : rotolock</td> <td>230 V</td> </tr> <tr> <td rowspan="4">Electronic protection module</td> <td>AF : A: brazed</td> <td>F: 24V DC</td> <td rowspan="4">S 240 - 300</td> </tr> <tr> <td>AA</td> <td>A: 24V AC</td> </tr> <tr> <td>AB</td> <td>B: 115/230V</td> </tr> <tr> <td>MA : M: rotolock</td> <td>A: 24V AC</td> </tr> <tr> <td>MB</td> <td>B: 115/230V</td> <td></td> </tr> <tr> <td>CA : C: brazed</td> <td>A: 24V AC</td> <td rowspan="3">S 380 *</td> </tr> <tr> <td>CB</td> <td>B: 115/230V</td> </tr> <tr> <td>CF</td> <td>F: 24V DC</td> </tr> </table>		Motor protection type	Connection	Module voltage	Applies to	Internal overload protector	V : brazed		S 084-090-100-110-120-148-161	A : brazed		S 112-124-147	Internal thermostat	C : brazed		S 115-125-160-175-185	R : rotolock		Electronic protection module	J : brazed	24 VDC	P : brazed	24 VAC	U : brazed	115 V	X : brazed	230 V	K : rotolock	24 VDC	S : rotolock	24 VAC	W : rotolock	115 V	Y : rotolock	230 V	Electronic protection module	AF : A: brazed	F: 24V DC	S 240 - 300	AA	A: 24V AC	AB	B: 115/230V	MA : M: rotolock	A: 24V AC	MB	B: 115/230V		CA : C: brazed	A: 24V AC	S 380 *	CB	B: 115/230V	CF	F: 24V DC		
Motor protection type	Connection	Module voltage	Applies to																																																								
Internal overload protector	V : brazed		S 084-090-100-110-120-148-161																																																								
	A : brazed		S 112-124-147																																																								
Internal thermostat	C : brazed		S 115-125-160-175-185																																																								
	R : rotolock																																																										
Electronic protection module	J : brazed	24 VDC																																																									
	P : brazed	24 VAC																																																									
	U : brazed	115 V																																																									
	X : brazed	230 V																																																									
	K : rotolock	24 VDC																																																									
	S : rotolock	24 VAC																																																									
W : rotolock	115 V																																																										
Y : rotolock	230 V																																																										
Electronic protection module	AF : A: brazed	F: 24V DC	S 240 - 300																																																								
	AA	A: 24V AC																																																									
	AB	B: 115/230V																																																									
	MA : M: rotolock	A: 24V AC																																																									
MB	B: 115/230V																																																										
CA : C: brazed	A: 24V AC	S 380 *																																																									
CB	B: 115/230V																																																										
CF	F: 24V DC																																																										

\* SY380 only available for 400V/3~/50 Hz, SZ380 available for both 400V/3~/50 Hz and 460V/3~/60 Hz

FURTHER REFERENCE

For more exhaustive information on Performer® scroll compressors single & tandem units, please refer to the following documents:

- Online datasheet generator: [www.danfoss.com/odsg](http://www.danfoss.com/odsg) - a tool providing user-friendly access to full technical data, performance data & outline drawings for each individual compressor.
- Selection and application guidelines for SM, SY and SZ Performer® single scroll compressors - reference FRCC.PC.003. and for SM, SY and SZ Performer® scroll compressors in parallel installation - ref. FRCC.PC.005. Above documents and datasheet generator are available on the Danfoss Commercial Compressors internet website: <http://cc.danfoss.com>









**QUICK REFERENCE**

**ORDERING REFERENCE**

Model	Connections	Motor protection	SM / SY compressors in industrial pack				SZ compressors in industrial pack			
			3	4	7	9	3	4	7	9
			200-230/3/60	460/3/60 380-400/3/50	575/3/60 500/3/50	380/3/60	200-230/3/60	460/3/60 380-400/3/50	575/3/60 500/3/50	380/3/60
S 084	Brazed	Internal	SM084-3VM	SM084-4VM	SM084-7VM	SM084-9VM	SZ084-3VM	SZ084-4VM	SZ084-7VM	SZ084-9VM
S 090	Brazed	Internal	SM090-3VM	SM090-4VM	SM090-7VM	SM090-9VM	SZ090-3VM	SZ090-4VM	SZ090-7VM	SZ090-9VM
S 100	Brazed	Internal	SM100-3VM	SM100-4VM	SM100-7VM	SM100-9VM	SZ100-3VM	SZ100-4VM	SZ100-7VM	SZ100-9VM
S 110	Brazed	Internal	SM110-3VM	SM110-4VM	SM110-7VM	SM110-9VM	SZ110-3VM	SZ110-4VM	SZ110-7VM	SZ110-9VM
S 115	Brazed	Thermostat	SM115-3CAM	SM115-4CAM	SM115-7CAM	SM115-9CAM	SZ115-3CAM	SZ115-4CAM	SZ115-7CAM	SZ115-9CAM
	Brazed	Module 24V AC	SM115-3PBM	SM115-4PBM	SM115-7PBM	-	SZ115-3PBM	SZ115-4PBM	SZ115-7PBM	-
	Rotolock	Thermostat	SM115-3RM	SM115-4RM	SM115-7RM	SM115-9RM	SZ115-3RM	SZ115-4RM	SZ115-7RM	SZ115-9RM
	Rotolock	Module 24V AC	SM115-3SBM	SM115-4SBM	SM115-7SBM	-	SZ115-3SBM	SZ115-4SBM	SZ115-7SBM	-
S 120	Brazed	Internal	SM120-3VM	SM120-4VM	SM120-7VM	SM120-9VM	SZ120-3VM	SZ120-4VM	SZ120-7VM	SZ120-9VM
S 125	Brazed	Thermostat	SM125-3CAM	SM125-4CAM	SM125-7CAM	SM125-9CAM	SZ125-3CAM	SZ125-4CAM	SZ125-7CAM	SZ125-9CAM
	Brazed	Module 24V AC	SM125-3PBM	SM125-4PBM	SM125-7PBM	-	SZ125-3PBM	SZ125-4PBM	SZ125-7PBM	-
	Brazed	Module 24V DC	-	SM125-4JBM	-	-	-	SZ125-4JBM	-	-
	Rotolock	Thermostat	SM125-3RM	SM125-4RM	SM125-7RM	SM125-9RM	SZ125-3RM	SZ125-4RM	SZ125-7RM	SZ125-9RM
	Rotolock	Module 24V AC	SM125-3SBM	SM125-4SBM	SM125-7SBM	-	SZ125-3SBM	SZ125-4SBM	SZ125-7SBM	-
S 148	Brazed	Internal	SM148-3VAM	SM148-4VAM	SM148-7VAM	SM148-9VAM	SZ148-3VAM	SZ148-4VAM	SZ148-7VAM	SZ148-9VAM
	Brazed	Thermostat	SM160-3CBM	SM160-4CBM	SM160-7CAM	SM160-9CBM	SZ160-3CBM	SZ160-4CBM	SZ160-7CAM	SZ160-9CBM
S 160	Brazed	Module 24V AC	SM160-3PBM	SM160-4PBM	SM160-7PBM	-	SZ160-3PBM	SZ160-4PBM	SZ160-7PBM	-
	Brazed	Module 24V DC	-	SM160-4JBM	-	-	-	SZ160-4JBM	-	-
	Rotolock	Thermostat	SM160-3RAM	SM160-4RAM	SM160-7RAM	SM160-9RAM	SZ160-3RAM	SZ160-4RAM	SZ160-7RAM	SZ160-9RAM
	Rotolock	Module 24V AC	SM160-3SBM	SM160-4SBM	SM160-7SBM	-	SZ160-3SBM	SZ160-4SBM	SZ160-7SBM	-
	Rotolock	Module 24V DC	-	SM160-4KBM	-	-	-	SZ160-4KBM	-	-
S 161	Brazed	Internal	SM161-3VAM	SM161-4VAM	SM161-7VAM	SM161-9VAM	SZ161-3VAM	SZ161-4VAM	SZ161-7VAM	SZ161-9VAM
S 175	Brazed	Thermostat	SM175-3CAM	SM175-4CAM	SM175-7CAM	SM175-9CAM	SZ175-3CAM	SZ175-4CAM	SZ175-7CAM	SZ175-9CAM
	Brazed	Module 24V AC	SM175-3PCM	SM175-4PCM	SM175-7PCM	-	SZ175-3PCM	SZ175-4PCM	SZ175-7PCM	-
	Rotolock	Thermostat	SM175-3RM	SM175-4RM	SM175-7RM	SM175-9RM	SZ175-3RM	SZ175-4RM	SZ175-7RM	SZ175-9RM
	Rotolock	Module 24V AC	SM175-3SCM	SM175-4SCM	SM175-7SCM	-	SZ175-3SCM	SZ175-4SCM	SZ175-7SCM	-
S 185	Brazed	Thermostat	SM185-3CAM	SM185-4CAM	SM185-7CAM	SM185-9CAM	SZ185-3CAM	SZ185-4CAM	SZ185-7CAM	SZ185-9CAM
	Brazed	Module 24 V AC	SM185-3PCM	SM185-4PCM	SM185-7PCM	-	SZ185-3PCM	SZ185-4PCM	SZ185-7PCM	-
	Brazed	Module 24 V DC	-	SM185-4JCM	-	-	-	SZ185-4JCM	-	-
	Brazed	Module 230 V AC	-	SM185-4XCM	-	SM185-9XCM	-	SZ185-4XCM	-	SZ185-9XCM
	Rotolock	Thermostat	SM185-3RM	SM185-4RM	SM185-7RM	SM185-9RM	SZ185-3RM	SZ185-4RM	SZ185-7RM	SZ185-9RM
	Rotolock	Module 24 V AC	SM185-3SCM	SM185-4SCM	SM185-7SCM	-	SZ185-3SCM	SZ185-4SCM	SZ185-7SCM	-
	Rotolock	Module 24 V DC	-	SM185-4KCM	-	-	-	SZ185-4KCM	-	-
S 185 **	Brazed	Thermostat	-	SY185-4CAM	-	-	-	-	-	-
	Rotolock	Thermostat	-	SY185-4RM	-	-	-	-	-	-
S 240	Brazed	Module 24V AC	SY240A3AAM	SY240A4AAM	SY240A7AAM	SY240A9AAM	SZ240A3AAM	SZ240A4AAM	SZ240A7AAM	SZ240A9AAM
	Brazed	Module 115-230V AC	SY240A3ABM	SY240A4ABM	SY240A7ABM	SY240A9ABM	SZ240A3ABM	SZ240A4ABM	SZ240A7ABM	SZ240A9ABM
	Rotolock	Module 24V AC	SY240A3MAM	SY240A4MAM	SY240A7MAM	SY240A9MAM	SZ240A3MAM	SZ240A4MAM	SZ240A7MAM	SZ240A9MAM
	Rotolock	Module 115-230V AC	SY240A3MBM	SY240A4MBM	SY240A7MBM	SY240A9MBM	SZ240A3MBM	SZ240A4MBM	SZ240A7MBM	SZ240A9MBM
S 300	Brazed	Module 24V AC	SY300A3AAM	SY300A4AAM	SY300A7AAM	SY300A9AAM	SZ300A3AAM	SZ300A4AAM	SZ300A7AAM	SZ300A9AAM
	Brazed	Module 115-230V AC	SY300A3ABM	SY300A4ABM	SY300A7ABM	SY300A9ABM	SZ300A3ABM	SZ300A4ABM	SZ300A7ABM	SZ300A9ABM
	Rotolock	Module 24V AC	SY300A3MAM	SY300A4MAM	SY300A7MAM	SY300A9MAM	SZ300A3MAM	SZ300A4MAM	SZ300A7MAM	SZ300A9MAM
	Rotolock	Module 115-230V AC	SY300A3MBM	SY300A4MBM	SY300A7MBM	SY300A9MBM	SZ300A3MBM	SZ300A4MBM	SZ300A7MBM	SZ300A9MBM
S 380 *	Brazed	Module 24V AC	-	SY380A4CAM *	-	-	-	SZ380A4CAM	-	-
	Brazed	Module 115-230V AC	-	SY380A4CBM *	-	-	-	SZ380A4CBM	-	-

\* SY380 only available for 400V/3/50 Hz

\*\* No module version available

**SM/SY/SZ compressors in single pack:** use numbers from above table and replace the last digit by "I". Example: SY240A3AAI

Model	Connections	Motor protection	SM112-124-147 compressors in industrial pack				SM112-124-147 compressors in single pack			
			3	4	7	9	3	4	7	9
			200-230/3/60	460/3/60 380-400/3/50	575/3/60 500/3/50	380/3/60	200-230/3/60	460/3/60 380-400/3/50	575/3/60 500/3/50	380/3/60
SM112	Brazed	Internal	120H0610	120H0612	-	120H0614	120H0609	120H0611	-	120H0613
SM124	Brazed	Internal	120H0184	120H0186	-	120H0188	120H0183	120H0185	-	120H0187
SM147	Brazed	Internal	120H0190	120H0311	-	120H0198	120H0189	120H0191	-	120H0197



## The Danfoss product range for the refrigeration and air conditioning industry

Within refrigeration and air conditioning, Danfoss is a worldwide manufacturer with a leading position in industrial, commercial and supermarket refrigeration as well as air conditioning and climate solutions.

We focus on our core business of making quality products, components and systems that enhance performance and reduce total life cycle costs – the key to major savings.



*Controls for Commercial Refrigeration*



*Controls for Industrial Refrigeration*



*Electronic Controls & Sensors*



*Industrial Automation*



*Household Compressors*



*Commercial Compressors*



*Sub-Assemblies*



*Thermostats*



*Brazed plate heat exchanger*

We are offering a single source for one of the widest ranges of innovative refrigeration and air conditioning components and systems in the world. And, we back technical solutions with business solution to help your company reduce costs, streamline processes and achieve your business goals.

Danfoss A/S • [www.danfoss.com](http://www.danfoss.com)

member of:



[www.asercom.org](http://www.asercom.org)

[www.danfoss.us](http://www.danfoss.us)

Danfoss can accept no responsibility for possible errors in catalogues, brochures and other printed material. Danfoss reserves the right to alter its products without notice. This also applies to products already on order provided that such alterations can be made without consequential changes being necessary in specifications already agreed. All trademarks in this material are property of the respective companies. Danfoss and the Danfoss logotype are trademarks of Danfoss A/S. All rights reserved.